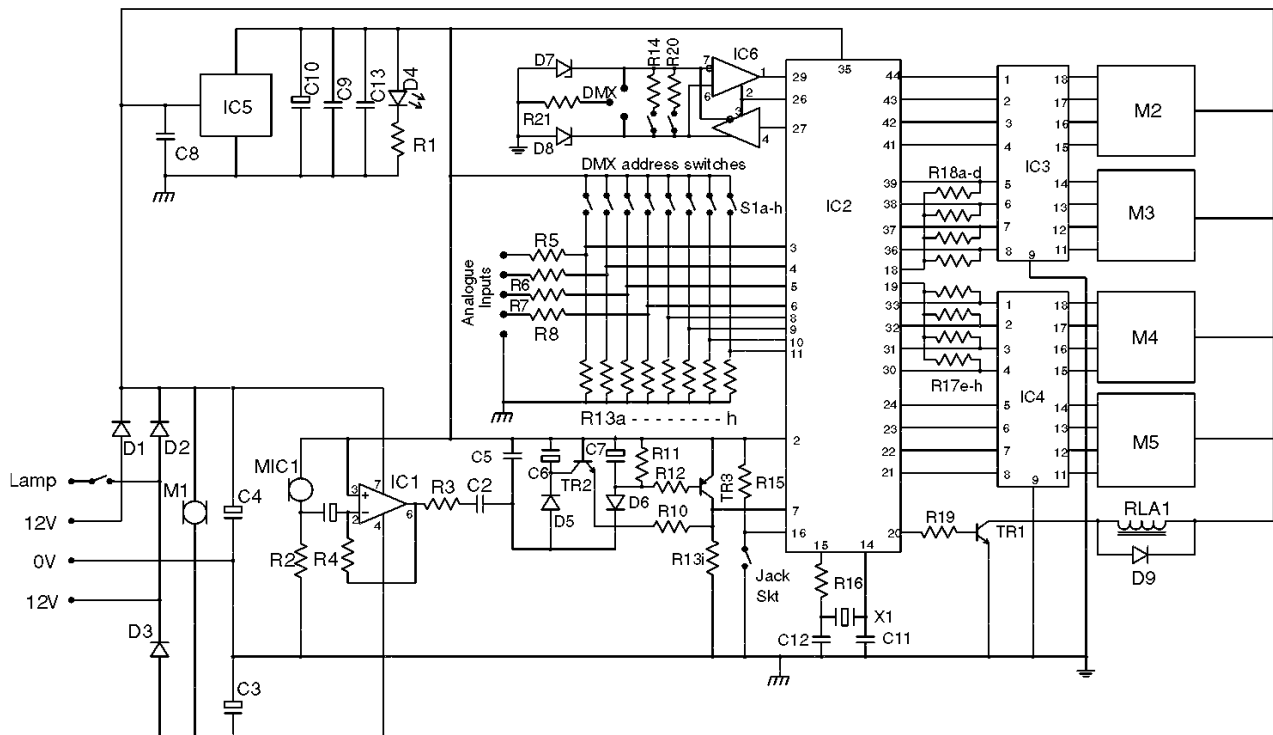


Datamoon



© N.J.D. Electronics 1992

Click on the drawing for a larger version.

R1	680 ¼W	R2	10k ¼W
R3	22k ¼W	R4	100k ¼W
R5	22k ¼W	R6	22k ¼W
R7	22k ¼W	R8	22k ¼W
R9	470 ¼W	R10	470k ¼W
R11	100k ¼W	R12	47k ¼W
R13	22k x 9	R14	22k ¼W
R15	120 ¼W	R16	470 ¼W
R17	22k x 8	R18	22k x 8
R19	470 ¼W	R20	120 ¼W
R21	100 ¼W	C1	1µF 63V
C2	470nF polyester	C3	1000µF 25V
C4	4700µF 25V	C5	47nF Mylar
C6	2.2µF 63V	C7	1µF 63V
C8	100nF ceramic	C9	100nF ceramic
C10	10µF 16V	C11	15pF ceramic
C12	15pF ceramic	C13	100nF ceramic
D1	1N5402	D2	1N5402

D3	1N4004	D4	red LED
D5	1N4148	D6	1N4148
D7	BZX55C 6V8	D8	BZX55C 6V8
D9	1N4148	R1	470 ¼W
TR1	BC639	TR3	BC212LB
TR2	BC182LB	MIC1	condensor
IC1	741	IC2	PIC16C74
IC3	ULN2803A	IC4	ULN2803A
IC5	7805	IC6	75176
M1	24V FAN	M2	Stepper motor
M3	Stepper Motor	M4	Not fitted
M5	Not Fitted	X1	16MHz
RLA1	12A SPCO 12V coil	S1	DIL switch

Additional Notes:

Last modified 27th December 1998

[View parts list](#)

[Back to Datamoon technical specification](#)